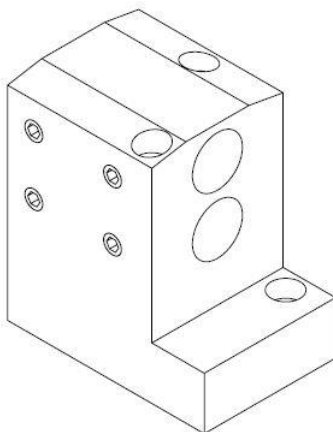
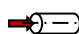
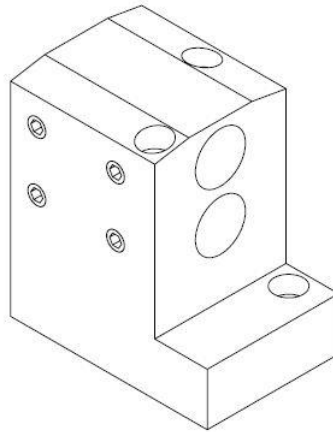
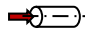
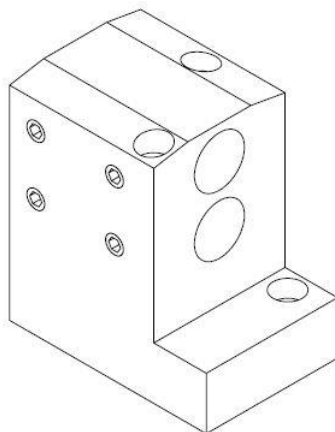


**VDF-401**

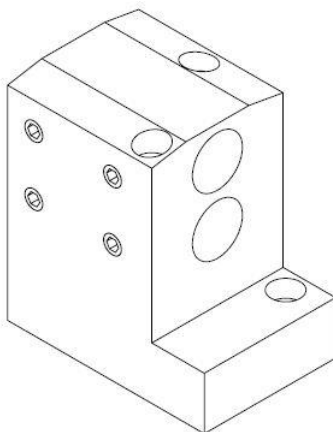
Machine: CITIZEN Cincom  
Type: M12/M16  
Emplacement, N°: Tourelle  
Travail sur: Broche principale / Broche de reprise  
Type de travail:   
n<sub>max</sub>: - [rpm]  
i (n<sub>i</sub> / n<sub>o</sub>): -  
Attachement: Arbre Ø19.05  
Refroidissement : Ø  
Pression maximale: [bar]  
Infos:

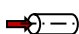
**VDF-401**

Machine: CITIZEN Cincom  
Type: M12/M16  
Location, N°: Turret  
Work on: Main spindle / Back spindle  
Type of work:   
n<sub>max</sub>: - [rpm]  
i (n<sub>i</sub> / n<sub>o</sub>): -  
Attachement: Shaft Ø19.05  
Coolant : Ø  
Maximum pressure: [bar]  
Infos:

**VDF-401**

Maschine: CITIZEN Cincom  
Typ: M12/M16  
Position, N°: Revolver  
Arbeit über: Hauptspindel / Abgreifspindel  
Arbeitstyp:   
n<sub>max</sub>: - [rpm]  
i (n<sub>i</sub> / n<sub>o</sub>): -  
Befestigung: Welle Ø19.05  
Kühlmittel: Ø  
Maximaler Druck: [bar]  
Infos:

**VDF-401**

Macchina: CITIZEN Cincom  
Tipo: M12/M16  
Posizione, N°: Toretta  
Lavoro al: Mandrino principale / Contromandrino  
Tipo di lavoro:   
n<sub>max</sub>: - [rpm]  
i (n<sub>i</sub> / n<sub>o</sub>): -  
Ataccamento: Albero Ø19.05  
Refrigerante Ø  
Pressione massima: [bar]  
Informazioni: