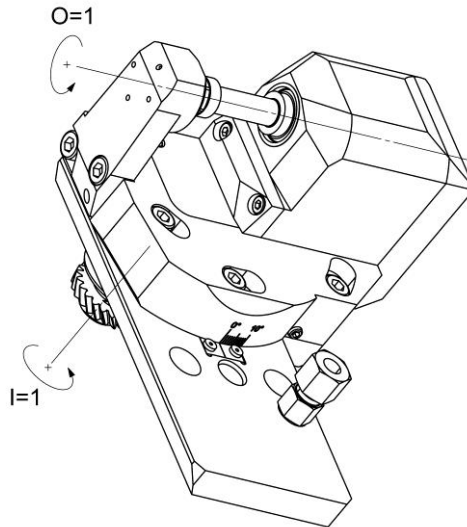


**MSH210-080**

Machine: CITIZEN Cincom

Type: M416

Emplacement, N°: Tourelle

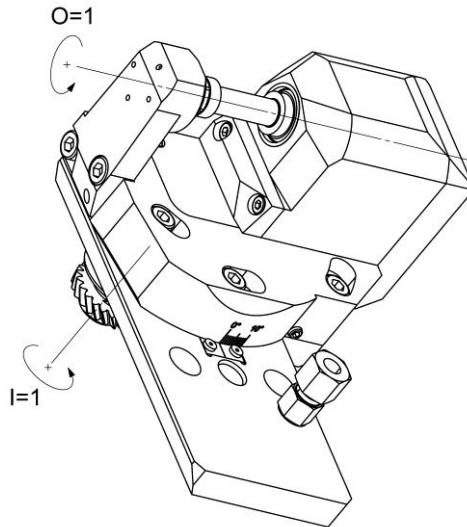
Travail sur: Broche principale

Type de travail:  $n_{\max}$ : 8'000 [rpm] $i (n_i / n_o)$ : 13 / 11

Attachement: Arbre Ø8mm

Refroidissement externe

Infos: inclinable 0...10°

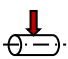
**MSH210-080**

Machine: CITIZEN Cincom

Type: M416

Location, N°: Turret

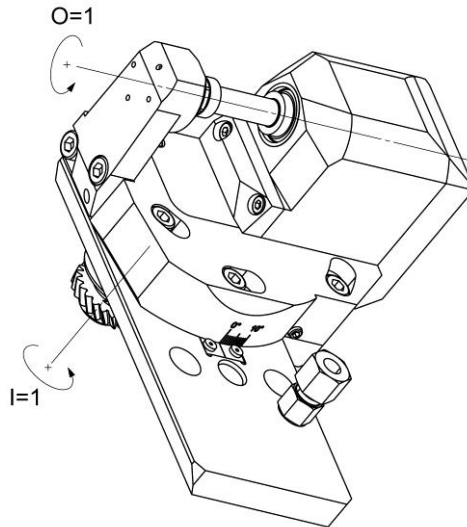
Work on: Main spindle

Type of work:  $n_{\max}$ : 8'000 [rpm] $i (n_i / n_o)$ : 13 / 11

Attachement: Shaft Ø8mm

External coolant

Infos: possible inclination 0...10°

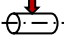
**MSH210-080**

Machine: CITIZEN Cincom

Typ: M416

Position, N°: Revolver

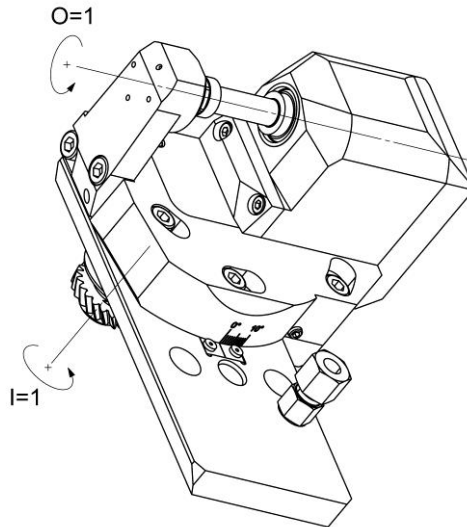
Arbeit über: Hauptspindel

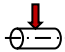
Arbeitstyp:  $n_{\max}$ : 8'000 [rpm] $i (n_i / n_o)$ : 13 / 11

Befestigung: Schaft Ø8mm

Ausser Kühlmittel

Infos: Neigung 0...10°

**MSH210-080**

Macchina: CITIZEN Cincom  
Tipo: M416  
Posizione, N°: Toretta  
Lavoro al: Mandrino principale  
Tipo di lavoro:   
 $n_{max}$ : 8'000 [rpm]  
 $i (n_i / n_o)$ : 13 / 11  
Ataccamento: Codolo Ø8mm  
Refrigerante esterno  
Informazioni: inclinazione 0...10°