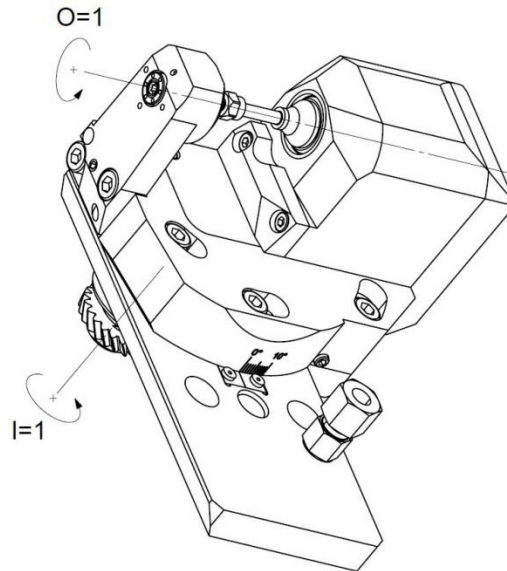


MSH210-035

Machine: CITIZEN Cincom

Type: M416

Emplacement, N°: Tourelle

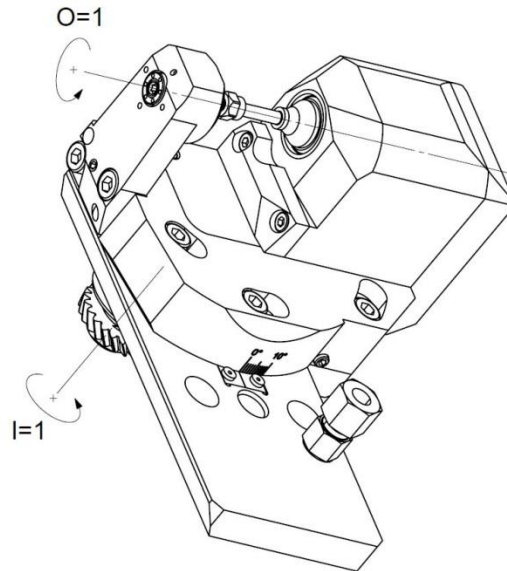
Travail sur: Broche principale

Type de travail:  n_{\max} : 8'000 [rpm] $i (n_i / n_o)$: 13 / 11

Attachement: Arbre Ø3.5mm

Refroidissement externe

Infos: inclinable 0...10°

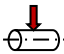
MSH210-035

Machine: CITIZEN Cincom

Type: M416

Location, N°: Turret

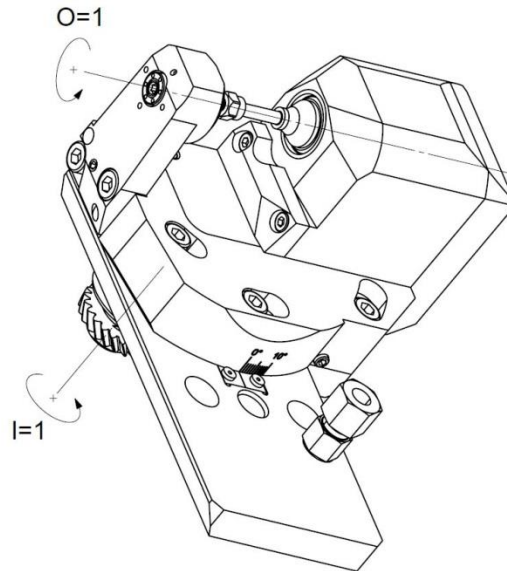
Work on: Main spindle

Type of work:  n_{max} : 8'000 [rpm] $i (n_i / n_o)$: 13 / 11

Attachement: Shaft Ø3.5mm

External coolant

Infos: possible inclination 0...10°

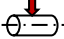
MSH210-035

Machine: CITIZEN Cincom

Typ: M416

Position, N°: Revolver

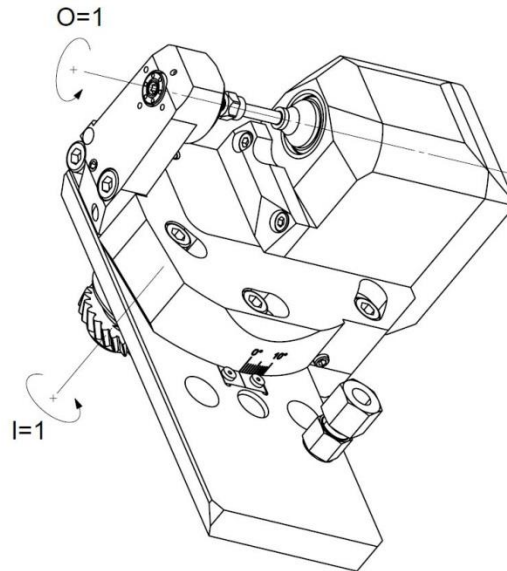
Arbeit über: Hauptspindel

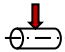
Arbeitstyp:  n_{\max} : 8'000 [rpm] $i (n_i / n_o)$: 13 / 11

Befestigung: Schaft Ø3.5mm

Ausser Kühlmittel

Infos: Neigung 0...10°

MSH210-035

Macchina: CITIZEN Cincom
Tipo: M416
Posizione, N°: Toretta
Lavoro al: Mandrino principale
Tipo di lavoro: 
 n_{max} : 8'000 [rpm]
 $i (n_i / n_o)$: 13 / 11
Ataccamento: Codolo Ø3.5mm
Refrigerante esterno
Informazioni: inclinazione 0...10°