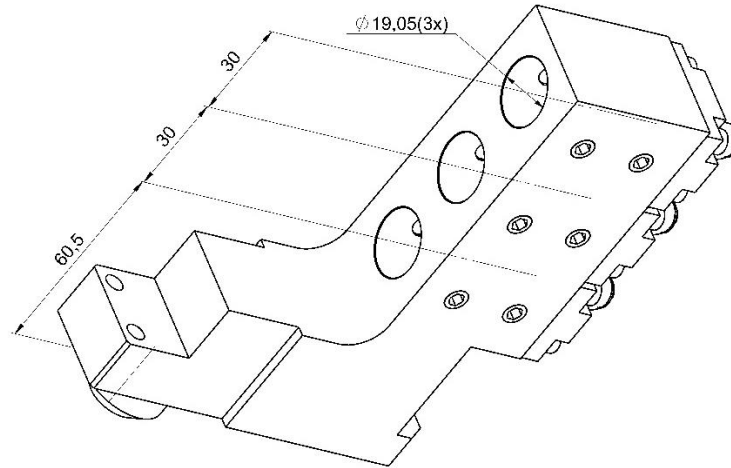


**GDF1303-IK**

Machine: CITIZEN

Type: L212

Emplacement, N° : Upper Gang tool post

Travail sur : Broche principale

Type de travail:

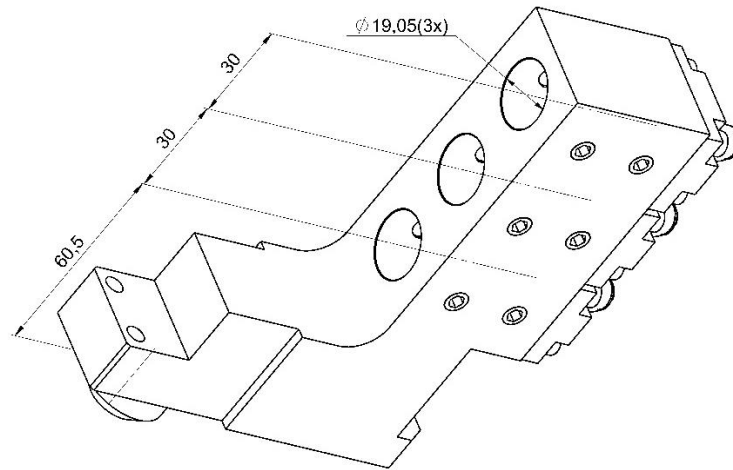
n<sub>max</sub>:i (n<sub>i</sub> / n<sub>o</sub>):

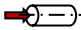
Attachement: 3x Ø19.05 mm

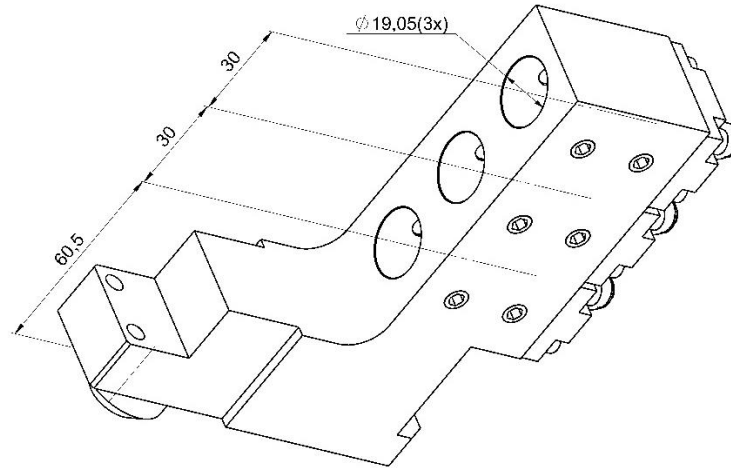
Refroidissement interne Pression maximale: 220 [bar]

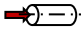
Infos:

**GDF1303-IK**



Machine: CITIZEN  
Type: L212  
Location, N° : Upper Gang tool post  
Work on: Main spindle  
Type of work:   
n<sub>max</sub>:  
i (n<sub>i</sub> / n<sub>o</sub>):  
Attachement: 3x Ø19.05 mm  
Internal coolant Maximum pressure: 220 [bar]  
Infos:

**GDF1303-IK**

Maschine: CITIZEN  
Typ: L212  
Position, N° : Upper Gang tool post  
Arbeit über: Hauptspindel  
Arbeitstyp:   
n<sub>max</sub>:  
i (n<sub>i</sub> / n<sub>o</sub>):  
Befestigung: 3x Ø19.05 mm  
Inner Kühlmittel Maximaler Druck: 220 [bar]  
Infos: